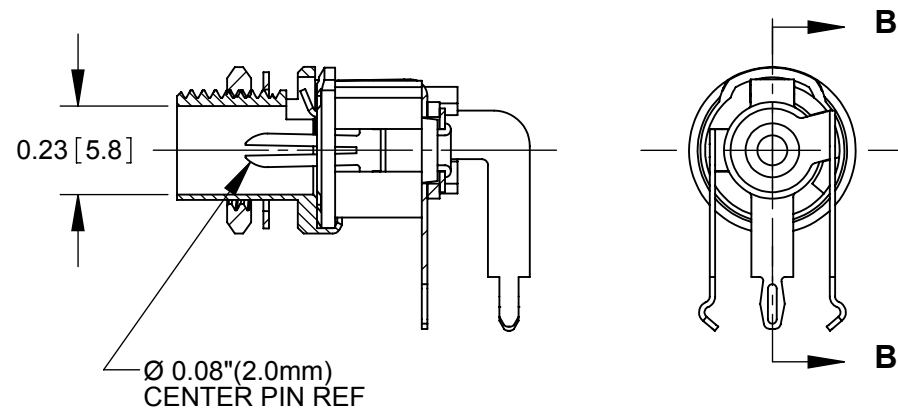
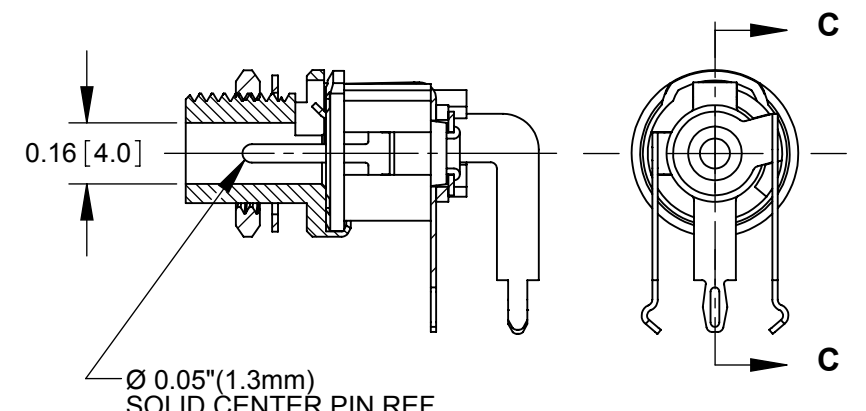


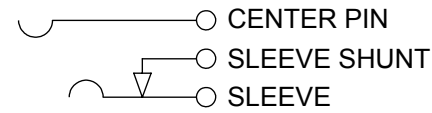
L712RAH



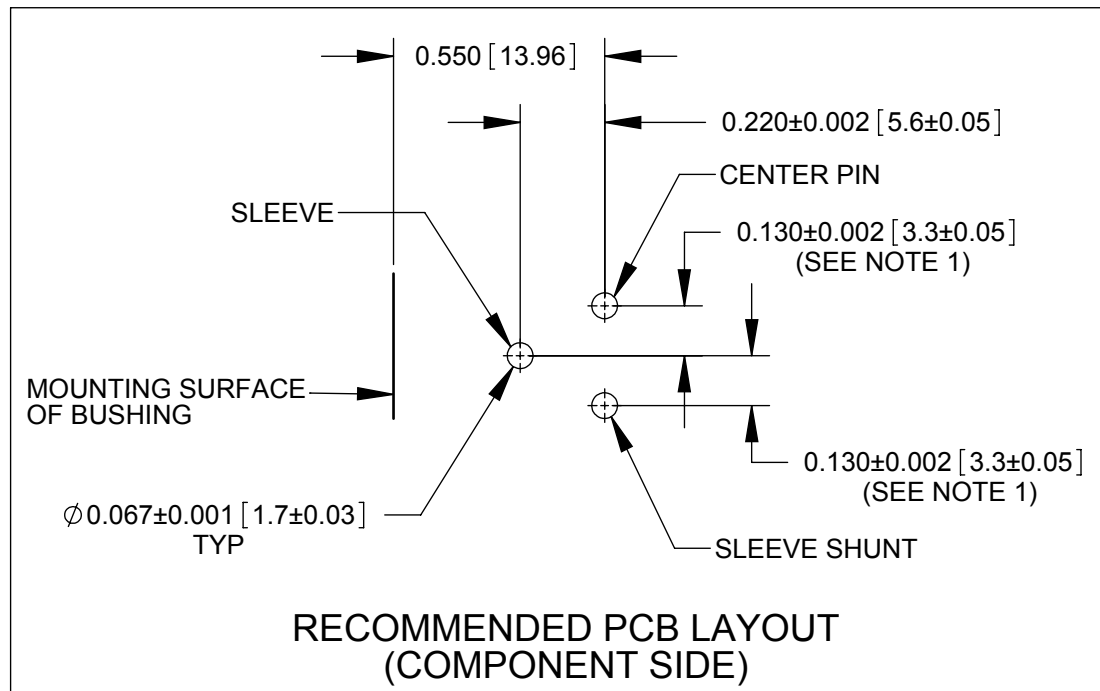
L722RAH



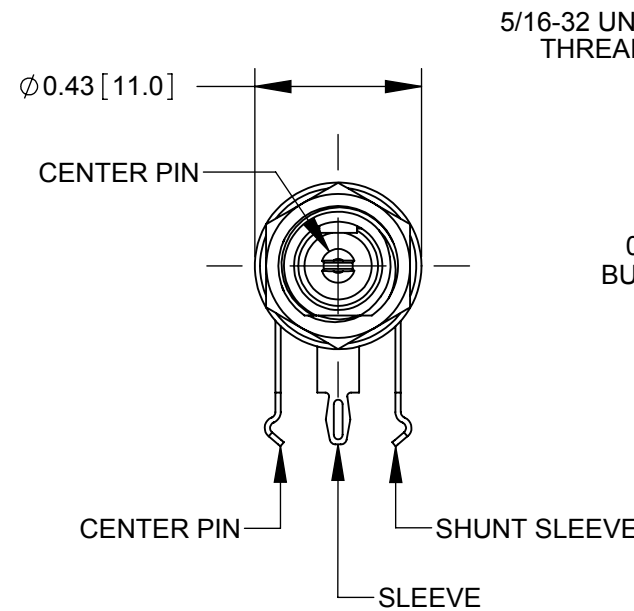
L732RAH



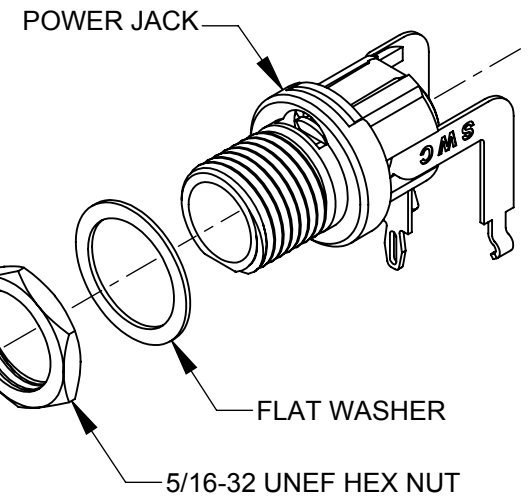
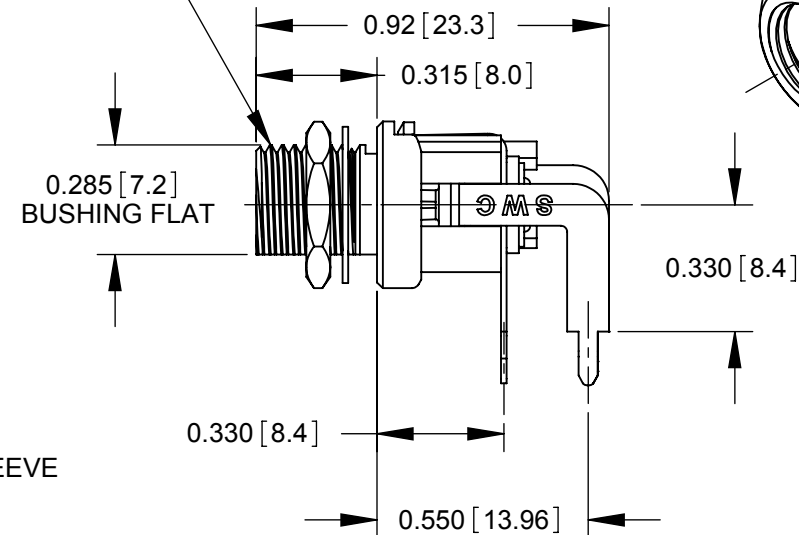
SCHEMATIC



**RECOMMENDED PCB LAYOUT
(COMPONENT SIDE)**



5/16-32 UNEF 2A
THREAD REF



- NOTES:
- FOR HAND INSERTION USE SPACING 0.130 [3.30]
FOR AUTOMATED INSERTION USE SPACING 0.135 [3.43]
 - DIMENSIONS SHOWN FOR REFERENCE ONLY.
 - HEX NUT AND FLAT WASHER SUPPLIED UNASSEMBLED.
 - MATERIAL:
HOUSING, HEX NUT - COPPER ALLOY, NICKEL PLATED
INSULATOR HOUSING - THERMOPLASTIC
TERMINAL INSULATORS - PHENOLIC
FLAT WASHER - STEEL, NICKEL PLATED
PIN, SPRING, TERMINALS - COPPER ALLOY, SILVER PLATED
 - THESE PRODUCTS ARE RoHS COMPLIANT

PRELIMINARY

CUSTOMER DRAWING

REV	ECO NUMBER	DATE	BY	APVD
0A	PDR 15004	6/28/16	PNK	SRC
REVISIONS				

UNLESS OTHERWISE SPECIFIED				
1. ALL DIMENSIONS IN INCHES				
- TWO PLACE DECIMALS ±0.02				
- THREE PLACE DECIMALS ±0.005				
DO NOT SCALE DRAWING				

THIS DRAWING DESCRIBES A DESIGN CONSIDERED PROPRIETARY IN NATURE, DEVELOPED AND MANUFACTURED BY SWITCHCRAFT INC. AND IS RELEASED ON A CONFIDENTIAL BASIS FOR IDENTIFICATION PURPOSES ONLY.									
SIZE	WIDTH	MULT	LBS/M	TEMPER					
FINISH					MATERIAL				
SPEC No.					SPEC No.				
FIRST USED ON					SCALE				
					2:1				
DATE DRAWN	BY	CHKD	APVD	Switchcraft [®]					
6/28/16	PNK	PNK	SRC						
					SHEET 1 OF 1				
NAME					PART No.				
HT POWER JACKS					L712RAH L722RAH L732RAH				
L7_2RAH SERIES, RoHS					REV				
					0A				